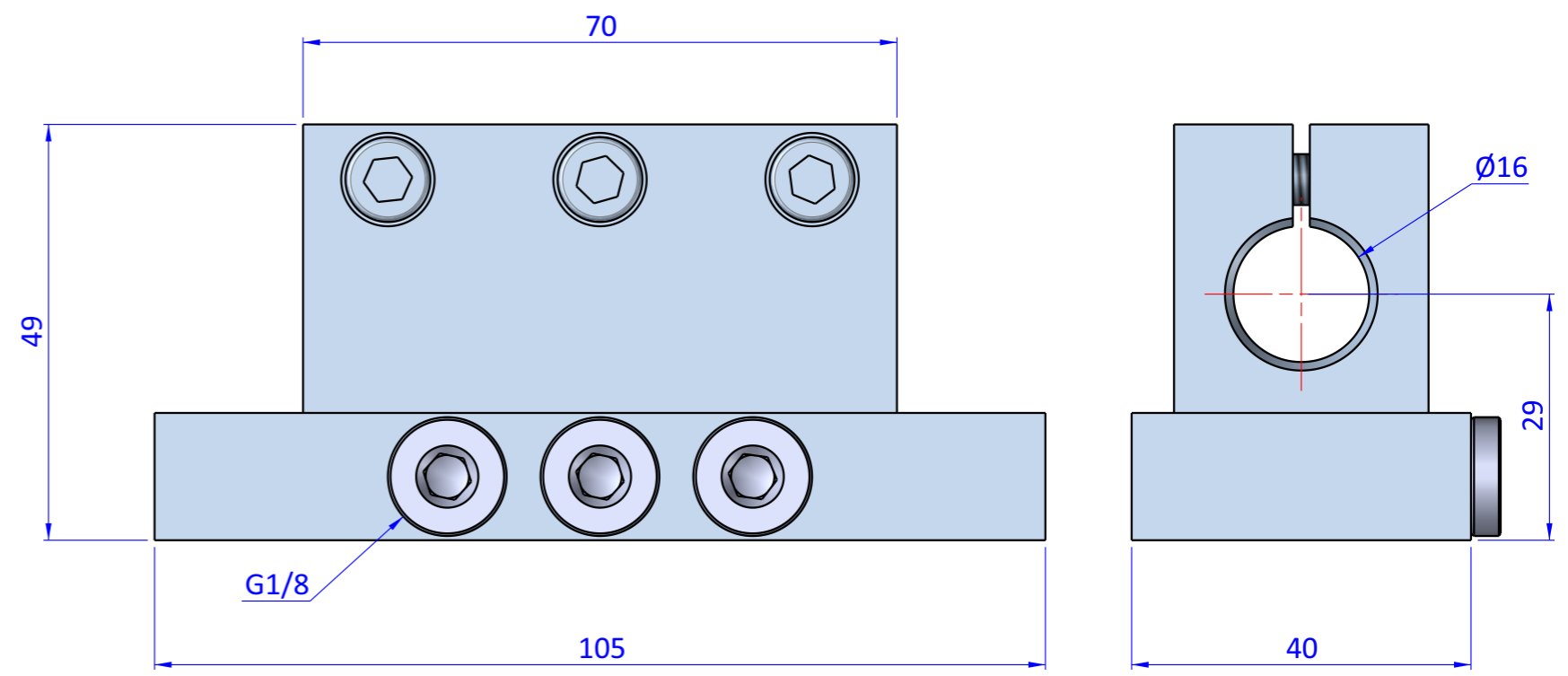
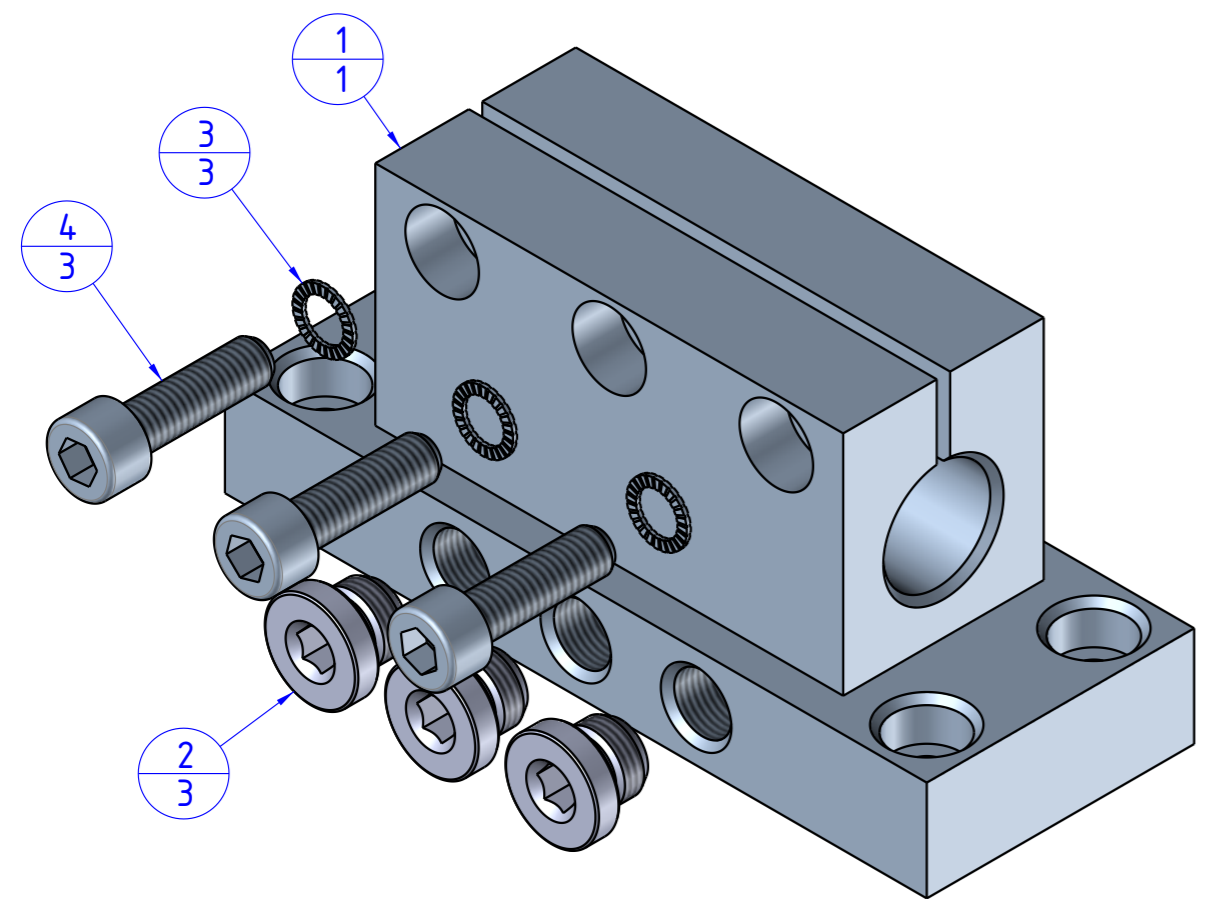
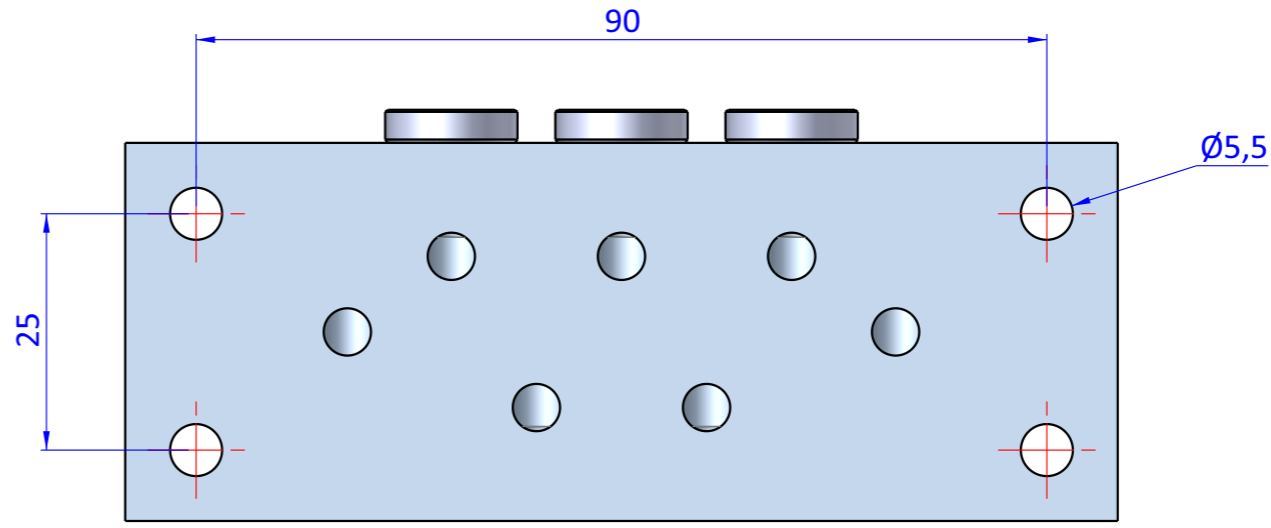

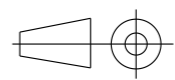


THE PROPERTY OF THE DRAWING IS ESTABLISHED BY LAW. IT IS FORBIDDEN TO PRODUCE OR SHOW IT TO THIRD PART - WITHOUT A WRITTEN AGREEMENT.

Item	Name	Q.ty
1	01.04.005	1
2	CA.08.14.014	3
3	R.6.SCH	3
4	V.TCE6x22	3



Format A3
UNI 936-76

 FPS FPSERVICES AUTOMATION			DESIGNED FROM FPS Automation	REVIEW A
GENERAL TOLERANCE UNI - ISO 2768 CLASSE f	DESCRIPTION CA.01.04.005		DATE 21/11/2022	WEIGHT 0,295kg
			CODE CA.01.04.005	